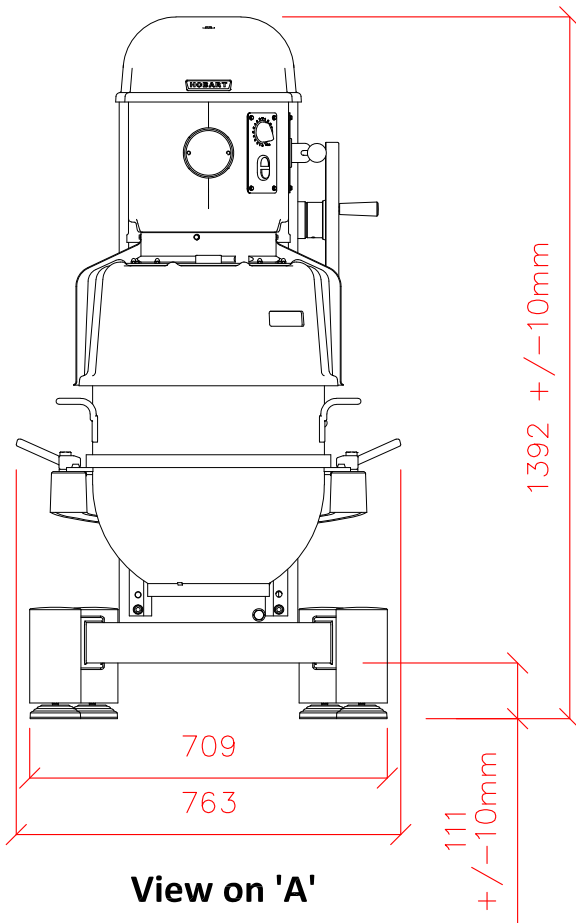
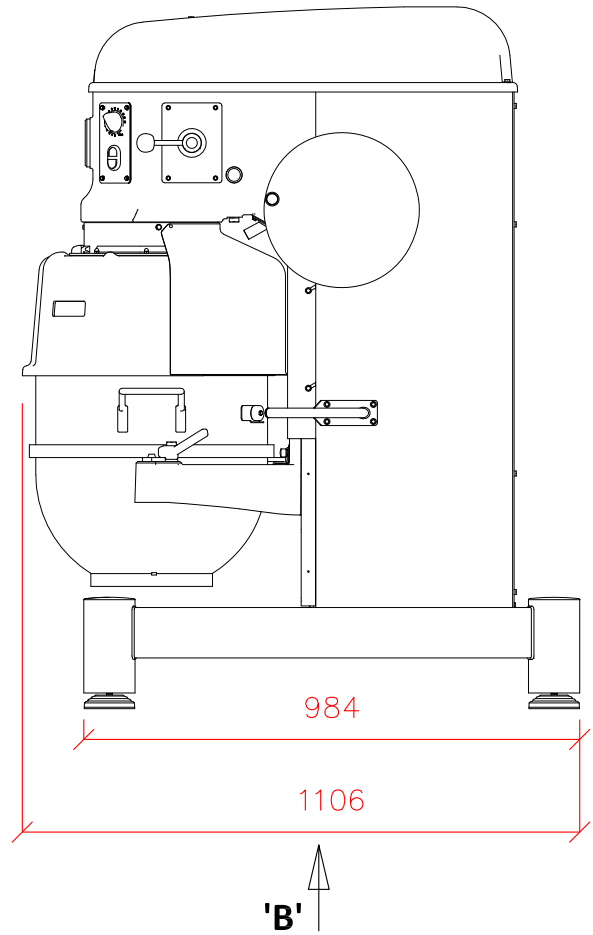


60 Litre Floor Standing Mixer

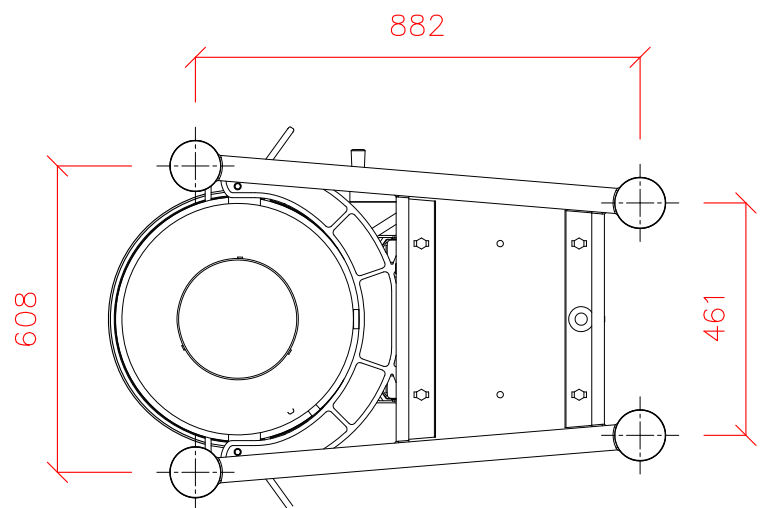
H600-F1ME



'A'



'B'



View on 'B'

- |          |   |
|----------|---|
| <b>1</b> | Electric - (1 Phase Supply)<br>1.5kW - 230/50/1 Recommended to be fused at 25amps                                 |
| <b>2</b> | Weight<br>Mixer weight including agitator and bowl (empty) - 249kg<br>Shipping weight (on wooden pallet), - 271kg |