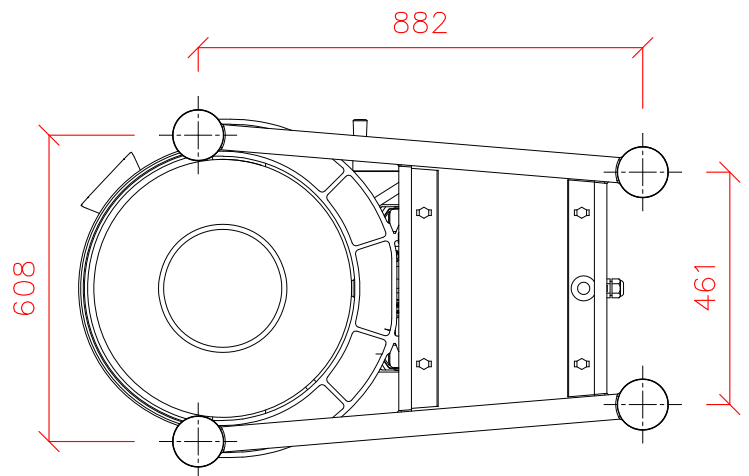
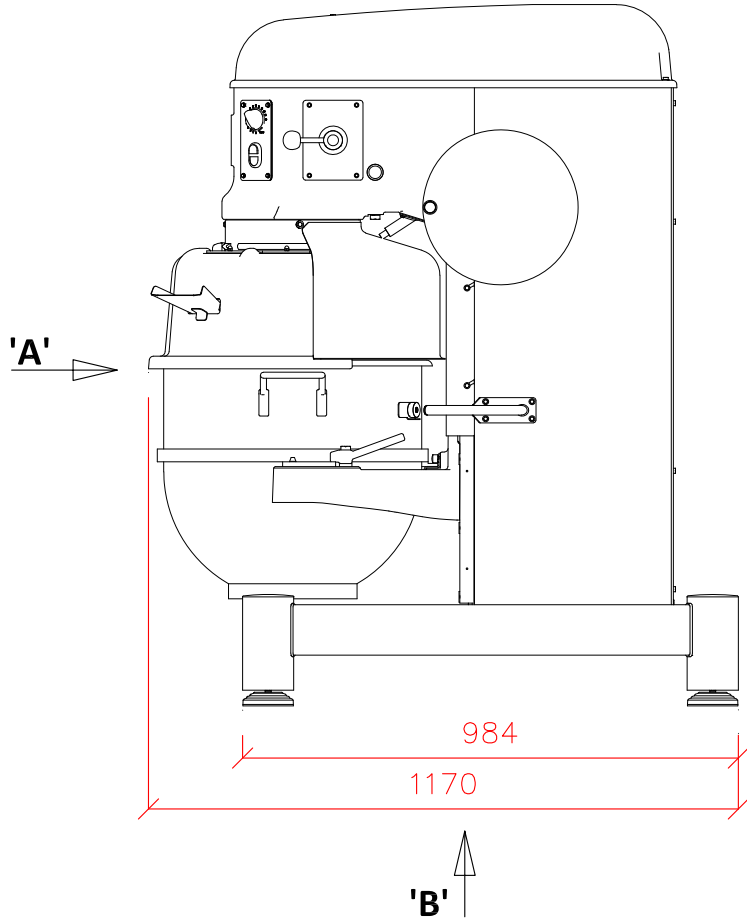
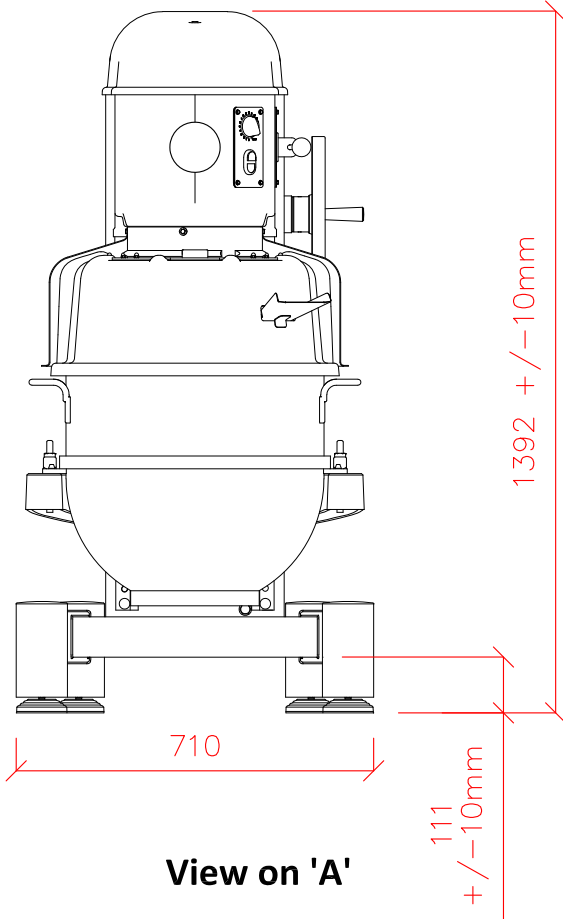


80 Litre Floor Standing Mixer

H800SS-F3ME



- | | |
|----------|--|
| 1 | Electric - (3 Phase Supply)
1.5kW - 400/50/3 Recommended to be fused at 10amps |
| 2 | Weight
Mixer weight including agitator and bowl (empty) - 277kg
Shipping weight (on wooden pallet) - 289kg |