



Sirman Spa
 Viale dell'Industria 9/11
 35010 PIEVE DI CURTAROLO (PD), Italy
 Tel./Fax. +39 049 9698666 / +39 049 9698688
 email: info@sirman.com

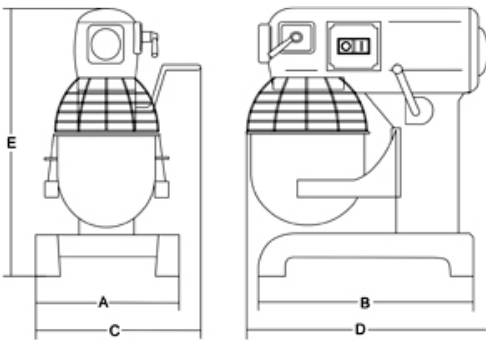


Sirman Planetary Mixers , model Plutone 10 :

- Machine body made from large thickness powder coated steel
- bowl protection made from metal wire
- easy to remove bowl made from stainless steel 304
- safety microswitches for the lid and the bowl
- 3 easy to remove metal tools: aluminium spatula and hook, steel and aluminium whisk
- 3 speed gear
- steel gear box
- ventilated motor



Data sheet



Technical data

| | |
|-------------------|-------------------------------|
| Model | Plutone 10 |
| Power | watt 450 |
| Power source | 1ph |
| Whisk revolutions | 1 = 108 2 = 195 3 = 355 |
| Bowl capacity | lt 10 |
| Bowl dimensions | mm ø 250 x 230 |
| A | mm 360 |
| B | mm 345 |
| C | mm 440 |
| D | mm 500 |
| E | mm 630 |
| Net weight | kg 40 |
| Shipping | mm 470x550x750 |
| Gross weight | kg 56 |
| HS-CODE | 84381090 |

